

# LUXOR

Free the *landscape*

## MINIMAL CONCEPT

High-performance sliding series with a minimalist aesthetic

THERMIA®  
BARCELONA



MINIMAL  
CONCEPT

This is an exercise in absence, an invitation to contemplate the world without barriers. Here, aluminum dissolves into minimal, almost imperceptible lines, like a carefully placed pause in a poem; its presence is merely a whisper, allowing the horizon to unfold freely, vast, and uninterrupted.

LUXOR does not merely frame the landscape—it liberates it. The outside world—the forest, the sea, the city—becomes fully accessible, without compromise. Like a novel where the silence between lines holds meaning, LUXOR finds its true strength in minimalism, transforming every gaze into an intimate and expansive experience. It is the window that does not compete with the view but disappears to make way for the luxury of seeing beyond.

LUXOR does not merely frame  
the landscape—it liberates it.



## **Thermia LUXOR** when less is truly more.

Thermia LUXOR, the most minimal high-end sliding window by Thermia Barcelona.

This minimal and essential design makes LUXOR a unique piece within the Thermia Barcelona catalog, focused on delivering an experience of visual freedom and elegant simplicity that transforms any space into a place of contemplation.

MINIMAL  
CONCEPT







The Thermia LUXOR window redefines the concept of **minimalism** in architectural design, standing out as the most refined window in the Thermia family.

## Thermia LUXOR the (almost) invisible window.

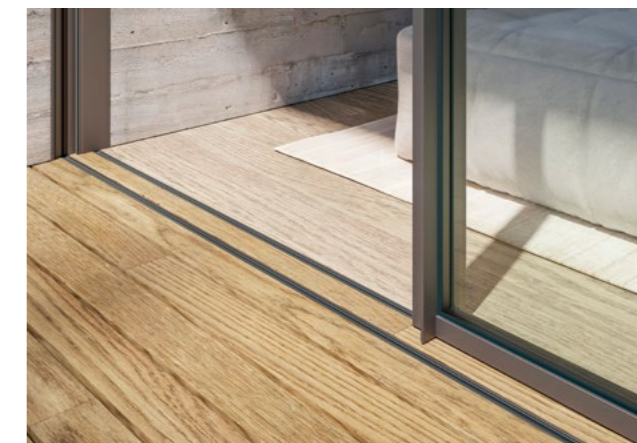
Its design allows for a 'Zero' recessed floor frame, eliminating the architectural barrier between interior and exterior and offering a perfect visual continuity that enhances any space. By integrating this feature, LUXOR meets the demand of those seeking a clean and functional design, where every element serves a clear purpose without overwhelming the environment.

With only 40 mm of aluminum on the sides and a 25 mm central profile, LUXOR achieves an unparalleled balance between aesthetics and strength.

This window allows for **expansive, uninterrupted views, bringing the outdoor landscape inside the home.**

40 mm of aluminum  
on the sides

25 mm of aluminum  
in the central profile

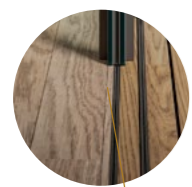


# Achieving the finest line

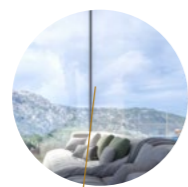
The secret to the minimal aesthetic of Thermia Luxor lies in its **ultra-thin handle**.



Its minimal structure and ultra-thin profiles allow for almost total visual opening, with no barriers interrupting the views.



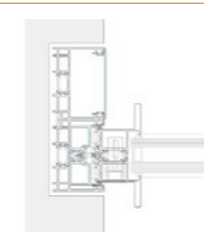
"Zero floor"



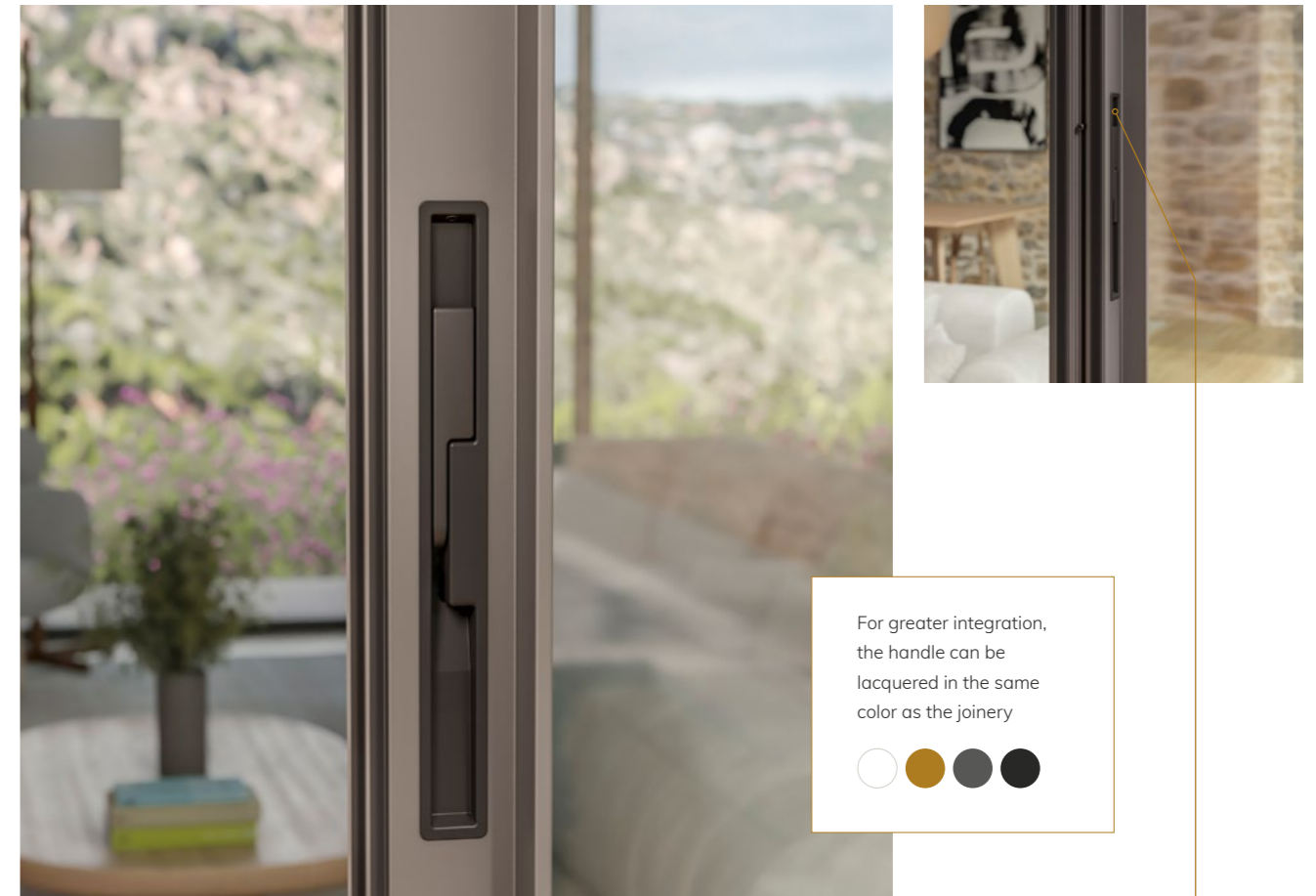
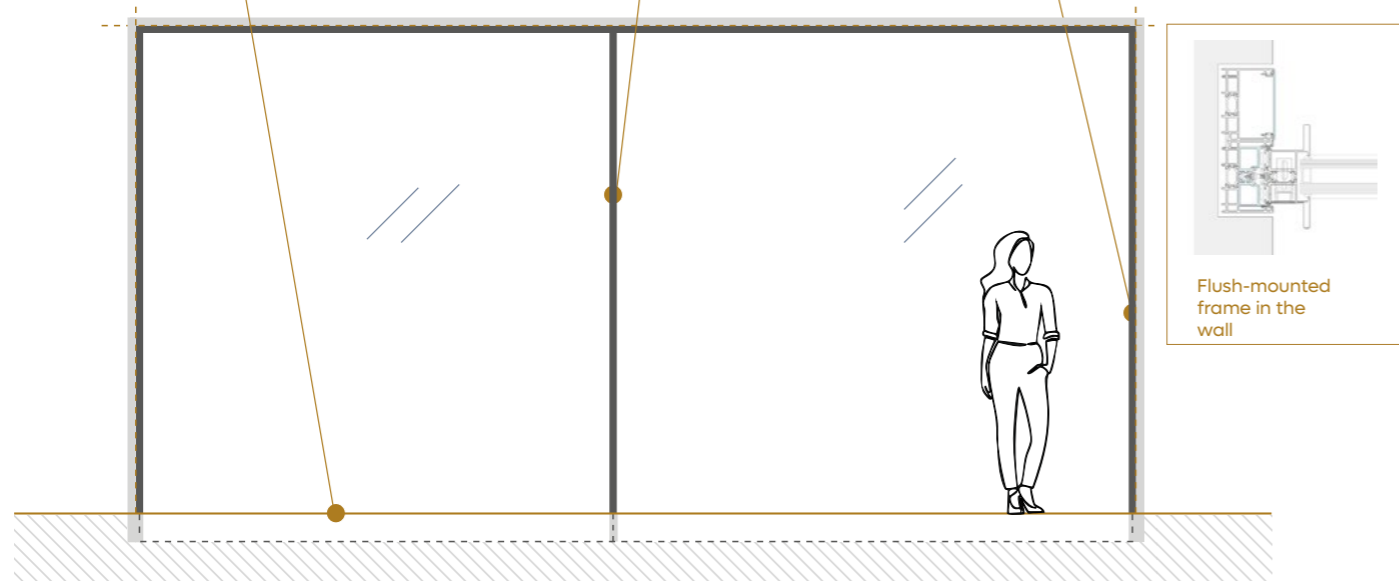
25 mm wide profile



Ultra-thin handle fully integrated into the profile of the sash



Flush-mounted frame in the wall

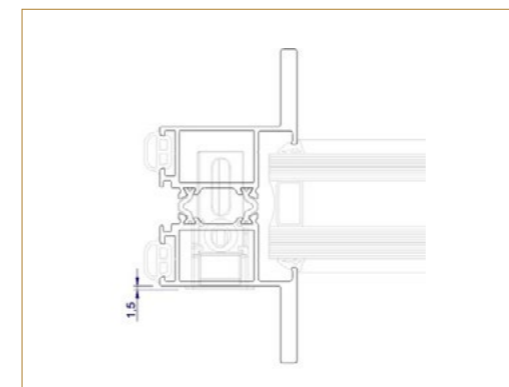


For greater integration, the handle can be lacquered in the same color as the joinery



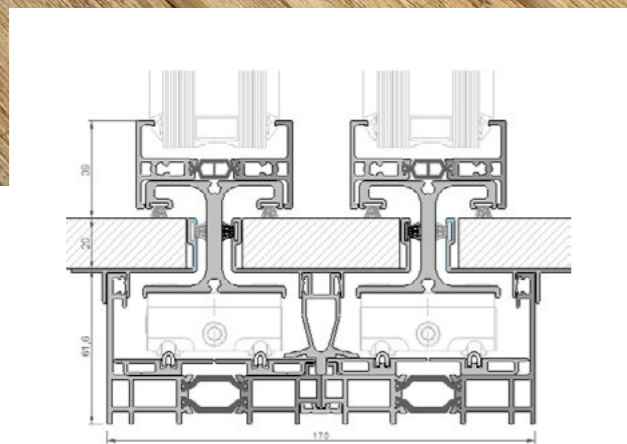
## Unique mechanism

This discreet and efficient mechanism allows for extremely narrow perimeters without compromising the strength or insulation performance of the window itself.



The handle, almost imperceptible, enhances the refined design of LUXOR, achieving perfect integration and a clean, sophisticated visual experience.

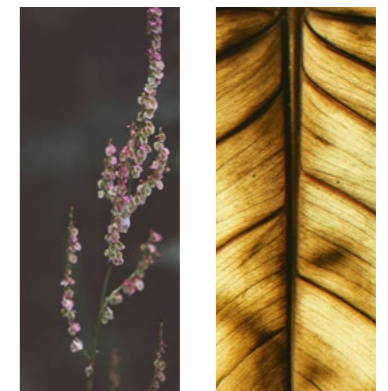




## Zero floor

To achieve a perfect final result, LUXOR offers the option of recessing the track flush with the floor.

The absence of an architectural barrier gives the already installed window the effect of a perfect landscape frame, making it almost invisible to both the eye and the touch.





Designed for spaces  
that long to capture  
the horizon.

MINIMAL  
CONCEPT







LUXOR is ideal for high-end constructions that aim to maximize the integration between interior and exterior through an elegant and minimalist design.

#### Open and bright spaces

Such as living rooms, dining rooms, or lounge areas that require large glazed surfaces without visual interruptions.

#### High-end commercial buildings

Where transparency and the openness of the space are essential to create a sophisticated and welcoming atmosphere.

#### Luxury homes

Where visual connection with the natural surroundings is prioritized, such as views of the sea, mountains, or private gardens.

#### Residences with modern architecture

Projects that value minimalism and wish to highlight clean and uncluttered aesthetics in every detail.







Free the landscape

Thermia CR62 LUXOR

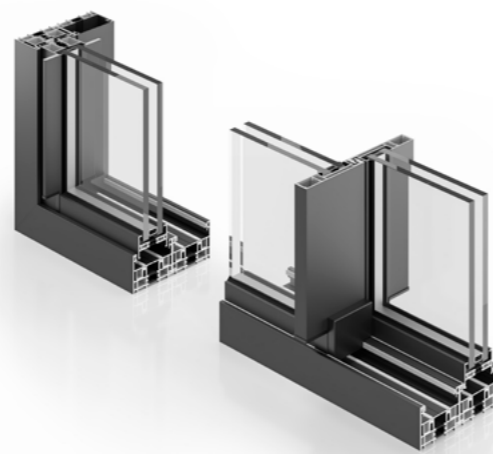




# Thermia CR62 LUXOR

Minimal sliding series




Technical features <b>Thermia LUXOR</b>	
Thermal break	24 mm / 12 mm
Main frame	85 mm
Main sash	62 mm
Maximum glazing width	6 mm mín. / 45 mm máx.
General profile thickness	1,7 mm
Maximum sash weight (without motor)	Up to 450 kg / sash
Maximum sash weight (with motor)	Up to 750 kg / sash
Maximum allowed dimensions per sash	3800 mm x 3500 mm
Track option	1 track + Multi-track
Available profiles	Frame / Sash / Central mullion / Pocket / Flush meeting



$U_w$  window = 1.19 W/m<sup>2</sup>K\*

\* According to EN10077-02, 2-sash window 6.00 m x 3.50 m  
Glass  $U_g = 1.00$  (W/m<sup>2</sup>K)  $\psi_g = 0.049$  (W/mK)

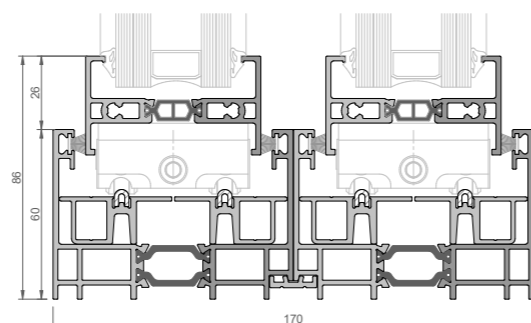
## Test results Thermia® CR62 LUXOR

	Air permeability	<b>3</b>
	Water tightness	<b>8A</b>
	Wind resistance	<b>C5</b>

Results obtained from official laboratories ENSATEC No. 263072 and based on the Annex of the standard EN 14351 - 1:2006+A2:2016 EN Window 2800 x 2200 mm



## Section



MINIMAL  
CONCEPT



## Quality seals



Qualanod seal  
for anodizing  
License number: 1014



Qualicoat seal  
for lacquering  
License number: 405



Qualideco seal  
for wood imitation  
License number: ES-0009F

## Certification

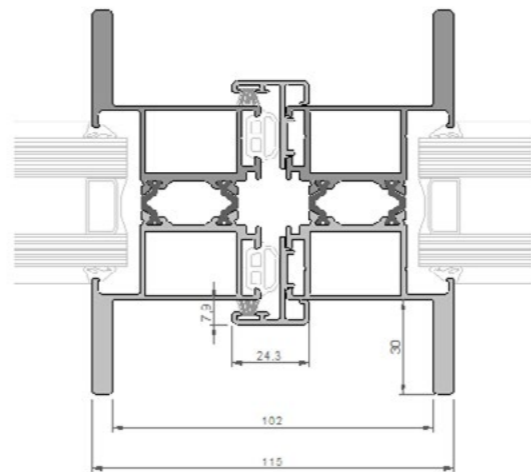
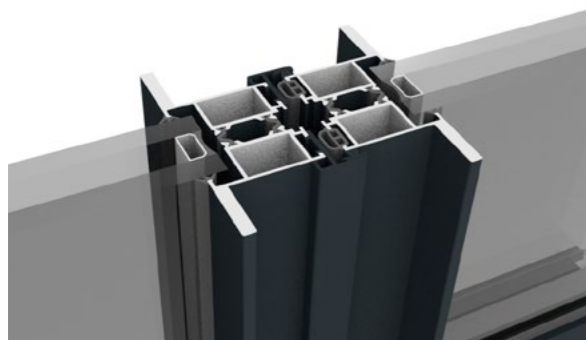


THERMIA BARCELONA  
EN14351-1:2006+A2:2016

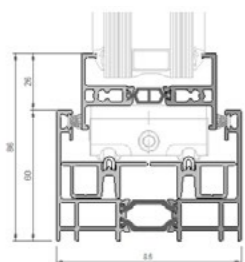


# Architectural solutions

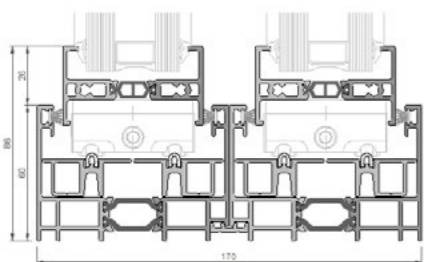
## FLUSH MEETING



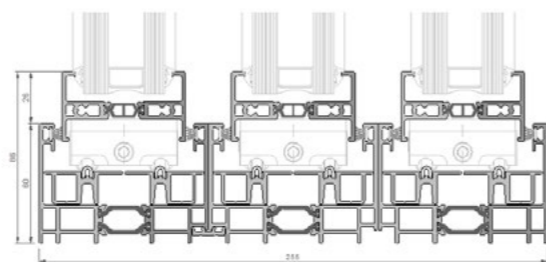
## STANDARD SOLUTION



1 track



2 tracks



3 tracks

## MOTORIZATION

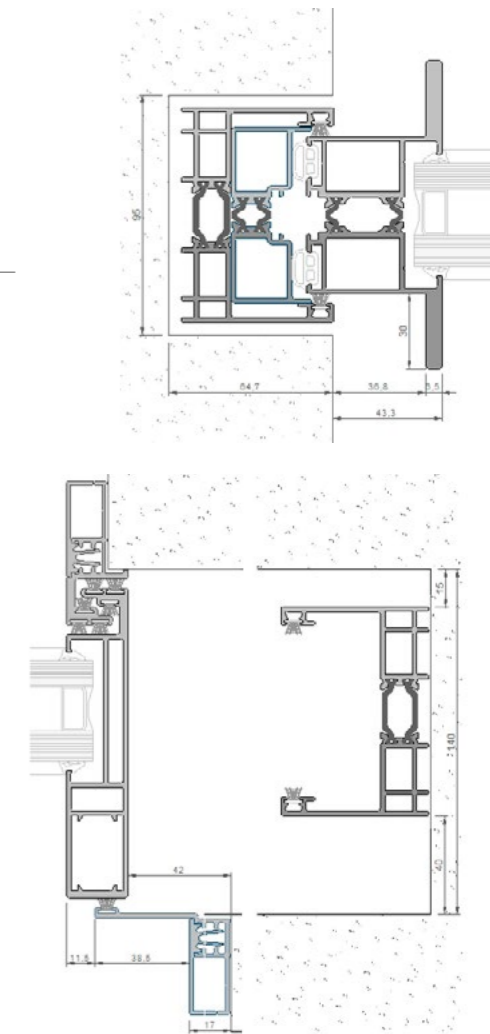


K6200 motorisation KIT

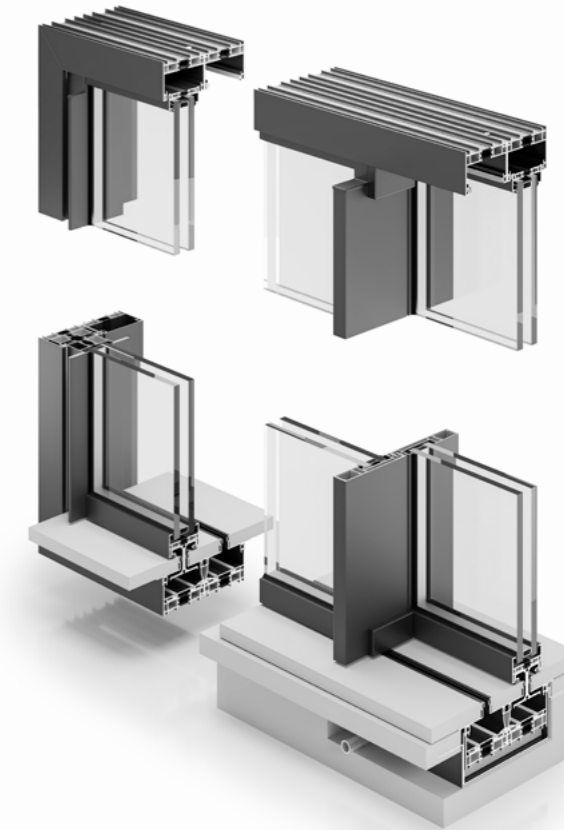
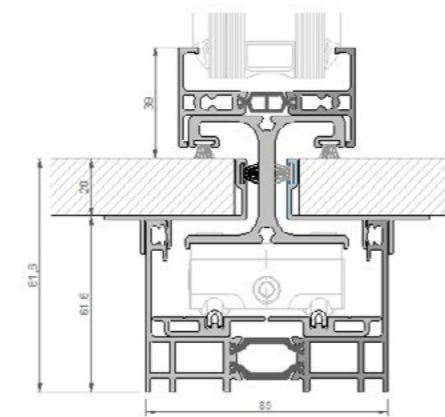
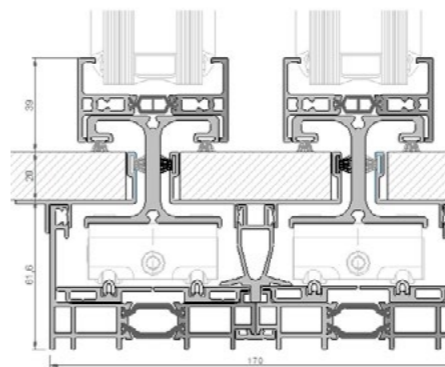
# 21

Thermia LUXOR

## POCKET SYSTEM



## ZERO FLOOR SOLUTION



The sections are not to scale.



An (in)visible window that challenges large openings and panoramic views





Windows for a better life

# LUXOR Technology

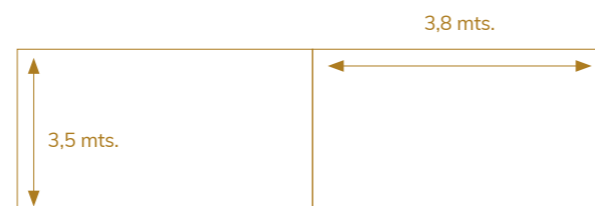


LUXOR is designed to achieve impressive dimensions without sacrificing performance, insulation, or aesthetics.

Ideal for large-scale architectural projects that require strong, elegant structures with high energy efficiency.

**Usage abacus.** Proportions and measurements.

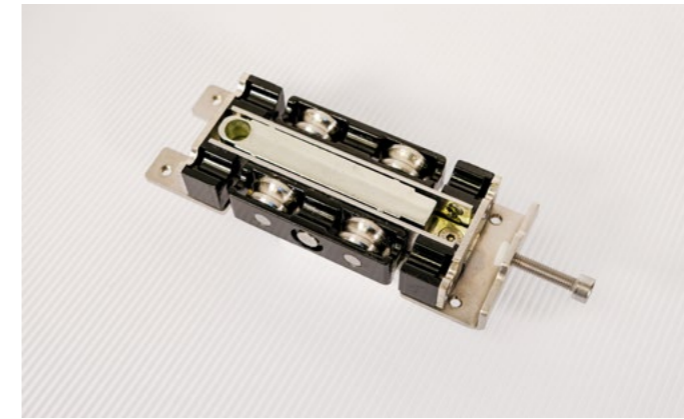
With a width of **up to 3.8 meters** and a height of **up to 3.5 meters**, LUXOR makes it possible to create expansive glass areas, bringing in plenty of natural light and stunning panoramic views.



**Maximum weight.**  
Up to 750 kg/sash.

Its design allows for highly insulating glass compositions, capable of supporting a **maximum weight of 750 kg/sash (motorized)**.

Even at these dimensions, its double bearing system ensures that the sashes slide smoothly, providing a comfortable and effortless user experience.



Tandem **double** wheel.

The evolution of the wheel system in LUXOR has redefined the precision and functionality of sliding sashes.

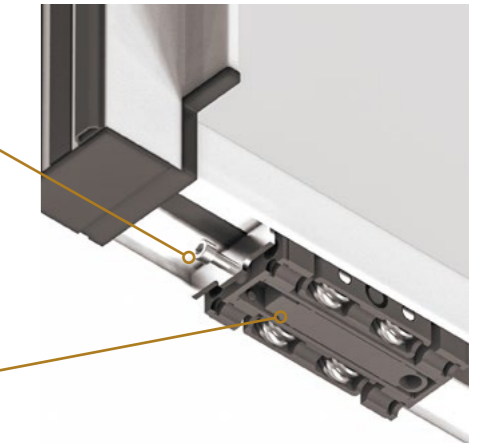
**Perfect Leveling:**

The wheels located on the sashes allow precise adjustments to correct any unevenness in the frame. The sash always remains perfectly aligned, regardless of floor irregularities.



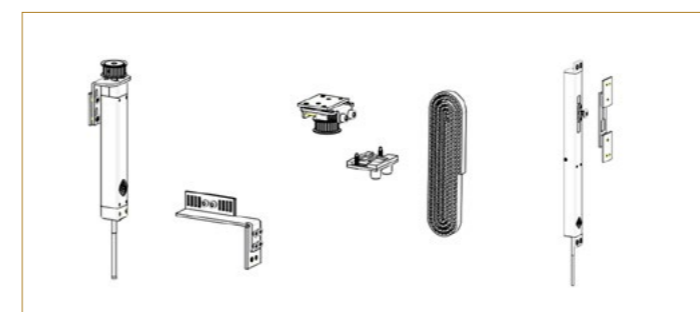
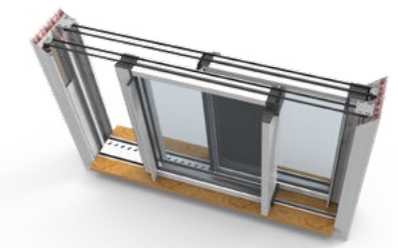
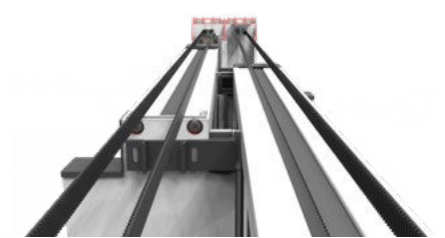
**Quick and Direct Access:**

The optimized design allows easy access to the wheels for hassle-free adjustments, improving the installation and maintenance experience.



**Motorization.** Open and close up to 750 kg from your phone.

LUXOR can be equipped with a motorization system that slides sashes of up to 750 kg per sash without manual intervention. No effort, no resistance. **Just a mobile phone with its app or a wall switch is enough to open** it with precision and smoothness. A solution that is not only convenient but also worthy of a window of its category.



K6200 MOTORIZATION KIT

**Thermia Recommends**

- Manual opening for sashes ≤ 450 kg per sash.
  - Motorized opening for sashes ≥ 450 kg per sash.\*
- \*Maximum 750 kg per sash.



Light is the beginning of everything; our windows are the vehicle for you to enjoy it always.

**Windows for a better life**





# THERMIA®

B A R C E L O N A

## Headquarters in Barcelona

C/ Narcís Monturiol, 34  
08192 Sant Quirze del Vallès  
Barcelona (España)  
Tel. +34 937 121 237  
[contacto@thermiabarcelona.com](mailto:contacto@thermiabarcelona.com)

## Andean Región Branch

Los Telares, 289  
Urbanización Industrial Vulcano  
Ate, Lima (Perú)  
Tel. +51-1-7197649

## Showrooms

### Barcelona

Narcís Monturiol, 34  
08192 Sant Quirze Vallès  
Barcelona (España)  
Tel. +34 937 121 237

### Girona

Carrer Sant Jordi, 2  
Local 4 - Sarrià de Ter  
Girona (España)  
Tel. +34 937 121 237

### Lima

Paseo de la República, 3583  
2o. Piso - San Isidro  
Lima (Perú)  
Tel. +51-1-7197649

[THERMIABARCELONA.COM](http://THERMIABARCELONA.COM)

