


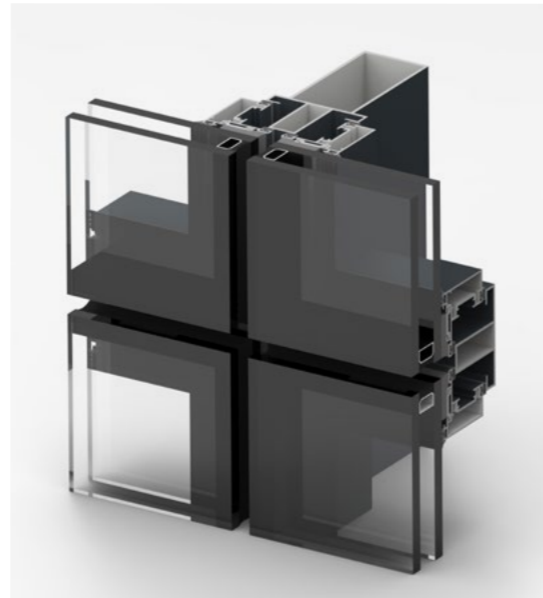
Thermia® FS45 QUICK

Quick, slender and practical walls



The Thermia® FS45 QUICK series is a system for creating glazed walls using aluminum for beautiful visual tempo.

PRESTACIONES DE LA SERIE	
Thermal break (TB)	No
Mullion	128/168 mm
Transom	65 mm
Leaf	42 mm
General thickness of the profiles	2,1 mm
Maximum leaf weight	130 Kg / leaf
Maximum glazing width	31 mm
Available profiles	Façade

 **THERMAL** Window Ucw = **1,9 W/m²k***
 *Based on EN 10077-02 2700 x 6200 façade glass Ug= 1.1 ψ= 0.053 (results obtained with the bonded insulated glass solution)

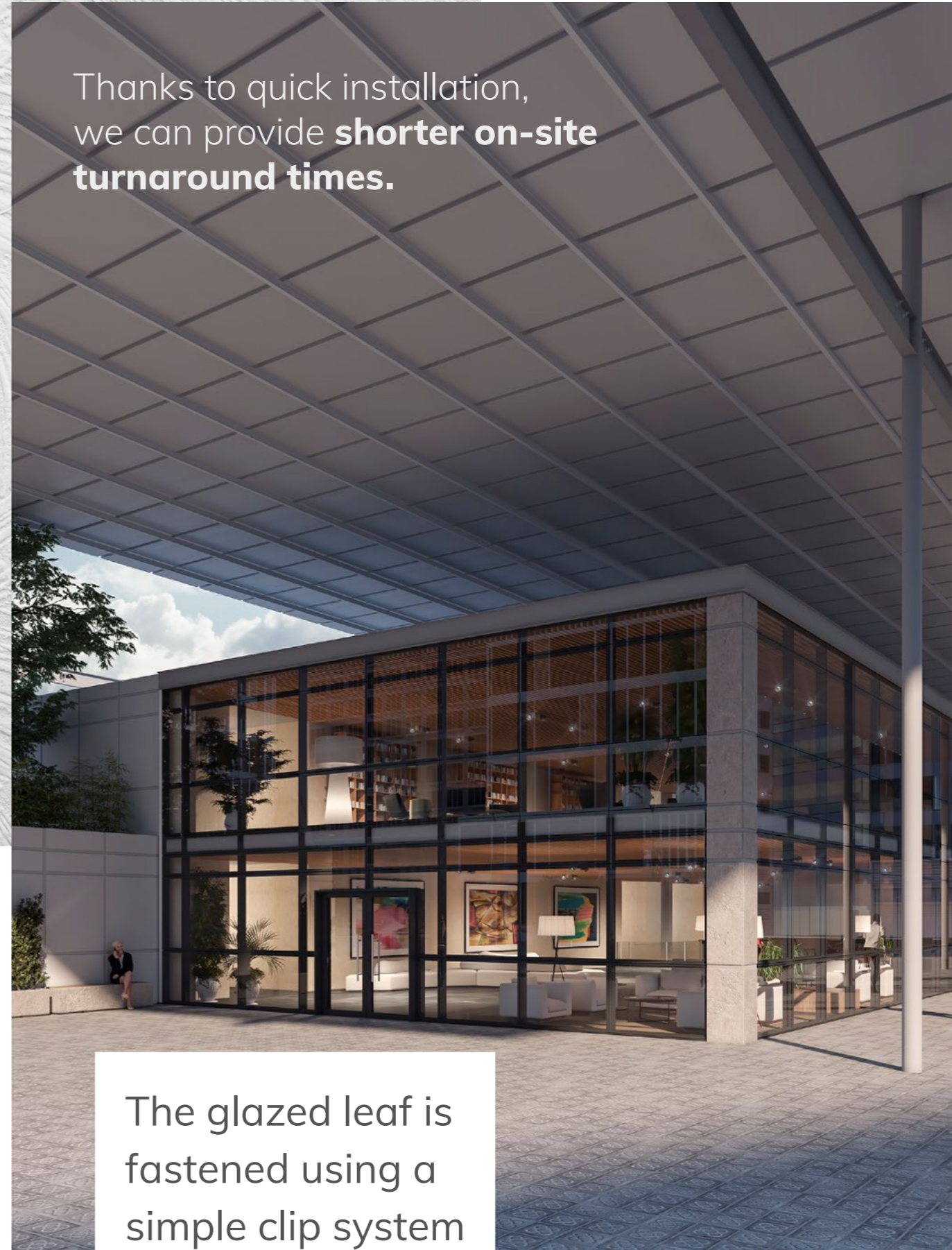
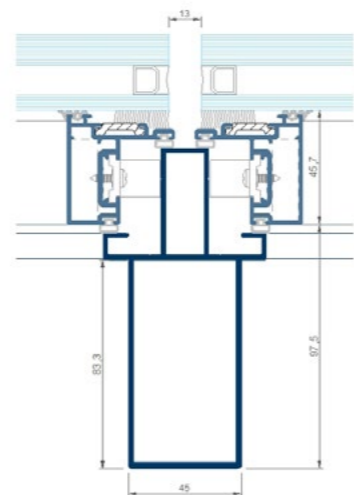


TEST RESULTS

-  Air permeability **AE1200**
-  Watertightness **R7**
-  Wind resistance **PASS**

Results obtained from reports according to ENSATEC with test number 251.064 and on the basis of the standards UNE-EN 13830:2016, UNE-EN 12153:2000, UNE-EN 12155:2000 and UNE-EN 12179:2001

CROSS-SECTION



Thanks to quick installation, we can provide **shorter on-site turnaround times.**

The glazed leaf is fastened using a simple clip system



Qualanod seal for anodization
License number: 1014



Qualicoat seal for lacquer
License number: 405



Qualideco seal for the imitation wood
License number: ES-0009F



THERMIA BARCELONA
EN14351-1:2006+A2:2016